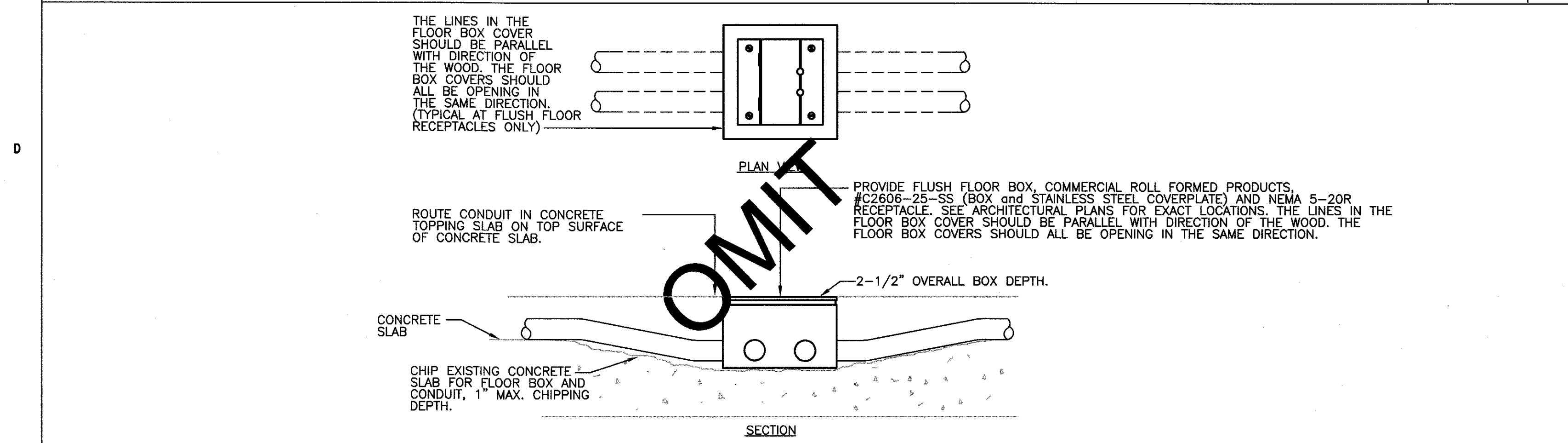


CONDUIT RISER DIAGRAM

1
NOT TO SCALE

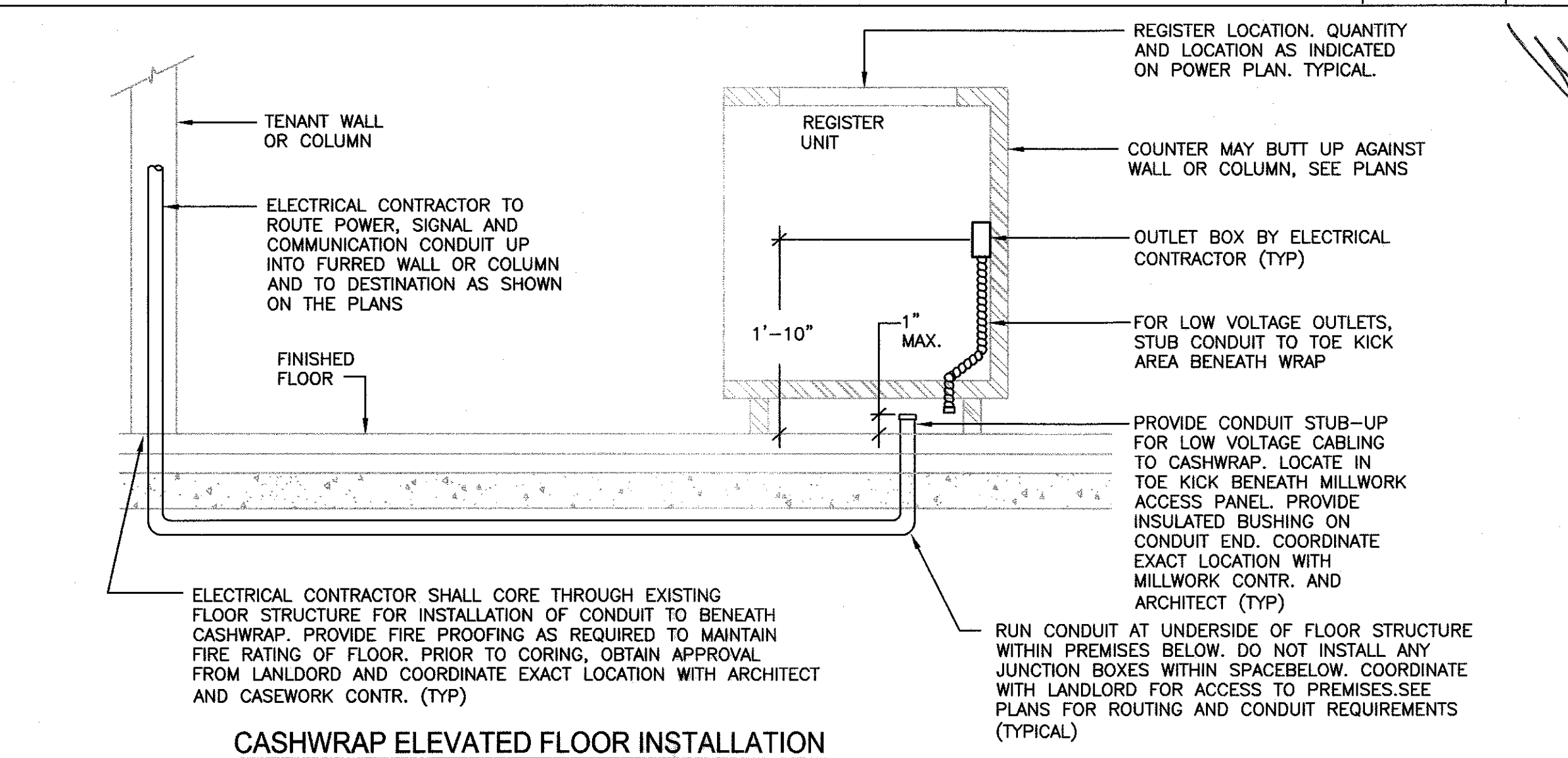
TYPICAL FLOOR BOX AND CONDUIT DETAIL

5
NOT TO SCALE

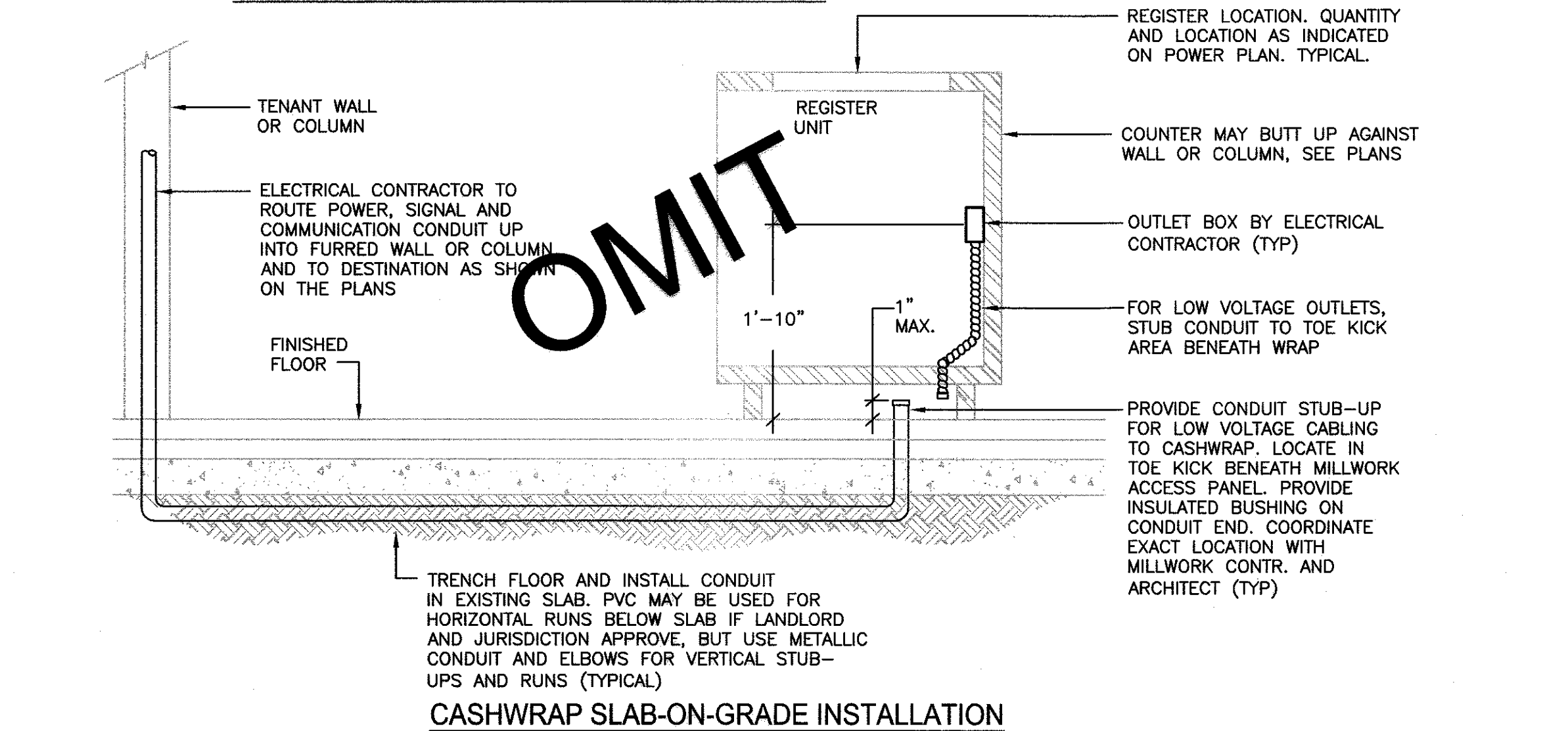


FLOOR BOX AND CONDUIT DETAIL FOR ELEVATED SITUATIONS

2
NOT TO SCALE



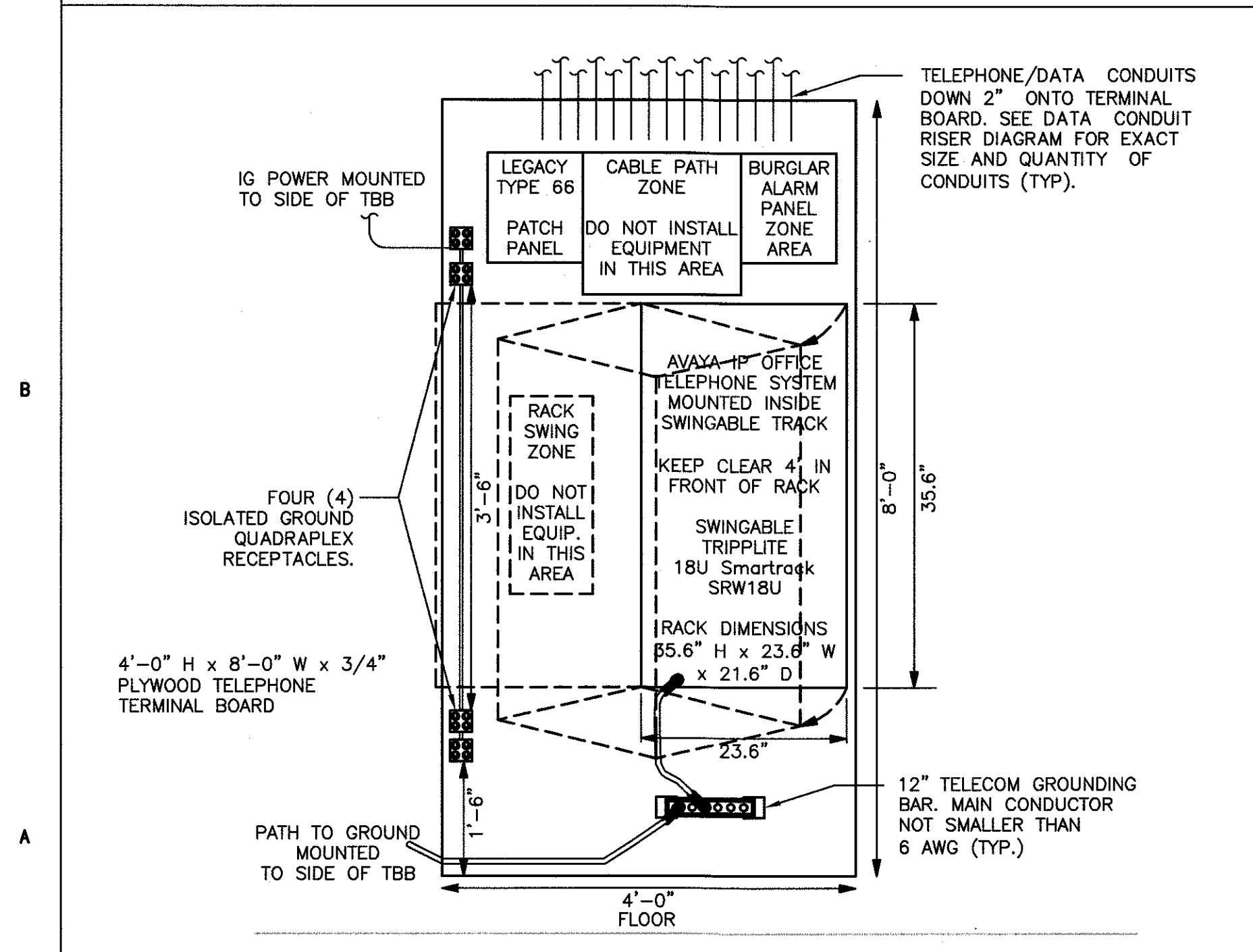
CASHWRAP ELEVATED FLOOR INSTALLATION



CASHWRAP SLAB-ON-GRADE INSTALLATION

CONTRACTOR REQUIREMENTS:

- VERIFY EXACT ROUTE FOR THE INSTALLATION OF THE ELECTRICAL AND TELEPHONE SERVICES IN THE FIELD WITH THE MALL BUILDING ENGINEER.
- OBTAIN LANDLORD'S APPROVAL FOR ALL SAW CUTTING AND CORE DRILLING. COORDINATE WITH BASE BUILDING EXISTING CONDITIONS FOR ACTUAL SLAB THICKNESSES. CONTRACTOR TO IDENTIFY ALL EXISTING CONDITIONS.



TELEPHONE TERMINAL BOARD (TTB) ELEVATION

3
NOT TO SCALE

CASHWRAP SERVICE CONDUIT ELEVATION

6
NOT TO SCALE

OWNER: **WILLIAMS-SONOMA, INC.**
 3250 Van Ness Avenue
 San Francisco, CA 94109
 T 415 616 8602
 F 415 439 8164
 www.williams-sonoma.com

EEA
 EEA Consulting Engineers
 6615 Vaughn Ranch Road, Suite 200
 Austin, Texas 78730-2314 USA
 512.744.4400 main 512.744.4444 fax
 www.eeac.com
 State of Registration MAINE
 Firm Registration No. N/A
 EEA Project No. 20166538

Professional Engineer Seal: Michael N. Hart, No. 10507, LICENSED PROFESSIONAL ENGINEER

west elm
 Downtown Portland
 164 Middle Street
 Portland, ME 04101
 PROJECT #006-1603355.00

ISSUED / REVISED	DATE
PRELIMINARY SET	09/08/16
LL COORDINATION SET	11/08/16
LL/PERMIT SET	11/21/16

ELECTRICAL DETAILS
E-202